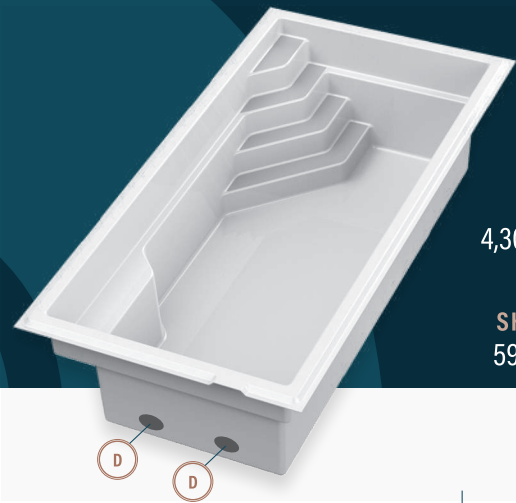


# moval

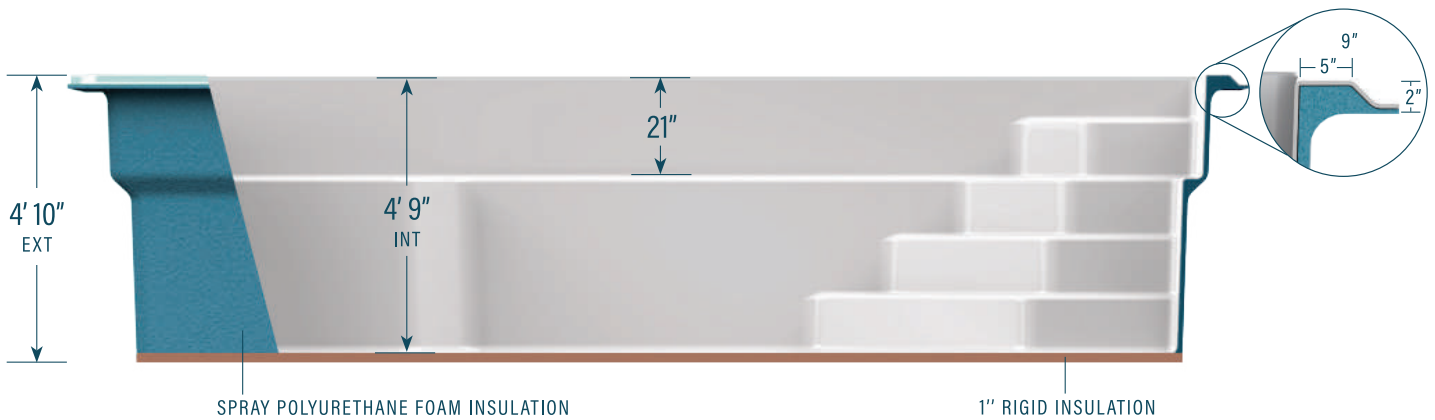
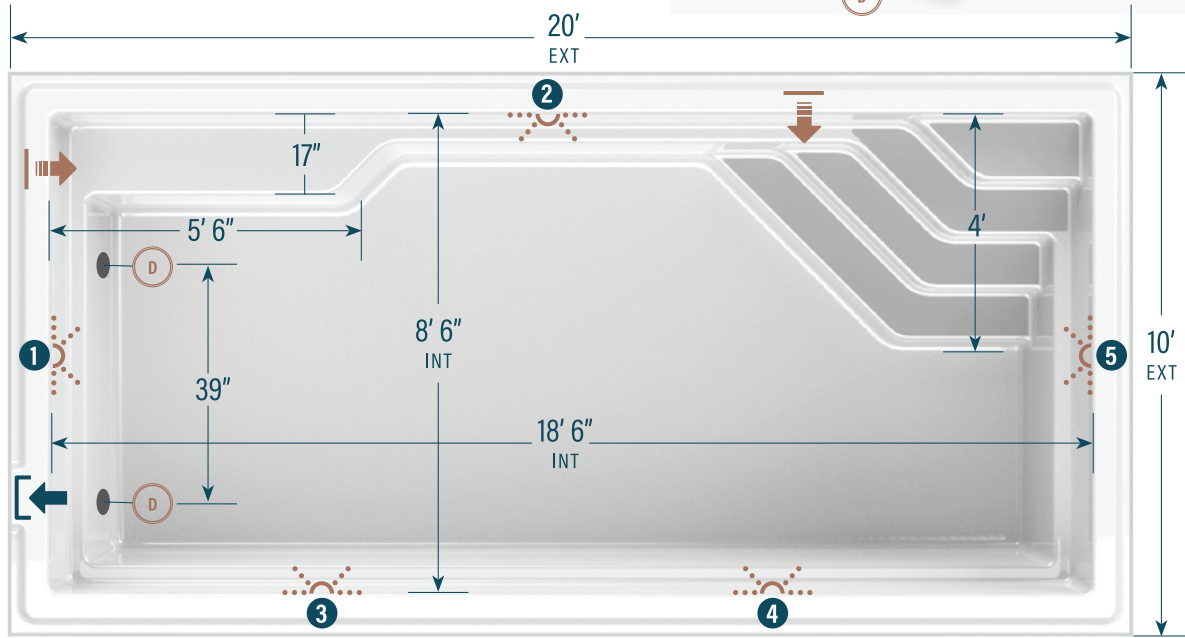
CONTEMPORARY POOLS

## 10' x 20'



**CAPACITY**  
4,302 US gallons  
16,285 litres

**SHELL WEIGHT**  
591 kg | 1,300 lb



### LEGEND

SKIMMER → ]	SIDE BOTTOM DRAIN (D)	WATER RETURN ← ]	LED LIGHT (dotted star)	WISPY GREY	RIVER CLAY	MOONSTONE	PARADISE SAND
				CLOUD WHITE	STONE GREY	MIDNIGHT SKY	DEEP SEA BLUE

### LED LIGHT OPTION

(Circle the desired LED lights)

- 1      2      3      4      5



The information in this document is provided for informational purposes only. Consult an authorized dealer and the Mova Pools installation guide for product specifications and installation instructions before purchasing a pool. An installation that does not conform to the instructions may void your warranty.

\*Not a resident of Quebec or the Ottawa area? This model is available at a retailer near you.

[MOVAPOLS.COM](http://MOVAPOLS.COM)